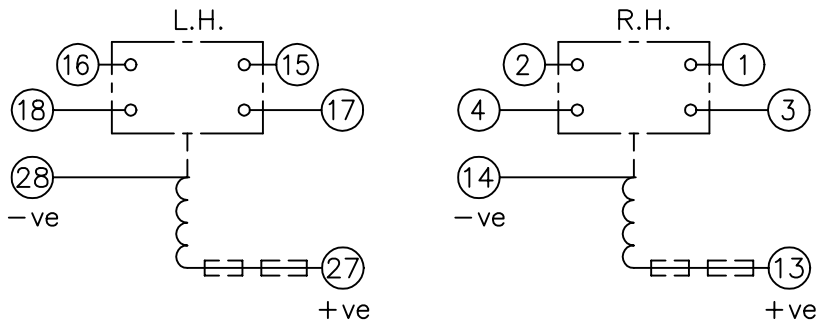


LOOKING ON FRONT OF RELAY



NOT SUBJECT TO UPDATE
ONCE COPIED / PRINTED
OR DOWNLOADED

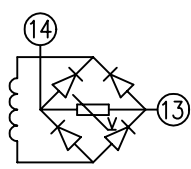
NOTE:
1. RESISTORS ARE NOT REQUIRED ON OTHER VOLTAGE VARIATIONS.
* 2. THE AR141T2 125VDC & 240VDC VERSIONS MUST HAVE RESISTOR 2101C21471 FITTED INSTEAD OF THE ONE SPECIFIED ON CHART. SEE RELEVANT B.O.M.

KEY	
	make contact
	break contact
	c/o contact
	ext. conn
	plug bridge - shorting
	metering point
	5kv barrier
	test socket - shorting
	plug & socket

125	* 2101C21102 ONLY.	NIL.	SEE NOTE 2 *
240	* 2101C21102 +EXT. RES.	EXT. RES. ONLY	SEE NOTE 2 *
VDC	RES.(T1,T2,T3,T6).	RES.(T4).	REMARKS

CONTACT CONFIG.	OUTPUT CONTACT PAIR / TERMINAL No.						
	R.H. →	1-3	2-4	5-7	6-8	9-11	10-12
L.H. →	15-17	16-18	19-21	20-22	23-25	24-26	
2M	M	M					
1M	1B	M	B				
	2B	B	B				

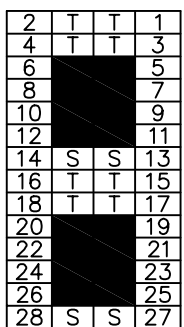
NOTE: WHEN RECTIFIER IS SPECIFIED COIL CONNS. ARE AS SHOWN.



FRAME REFERENCE: E4FE02.

FRAME TERMINAL BLOCK ASSY: -

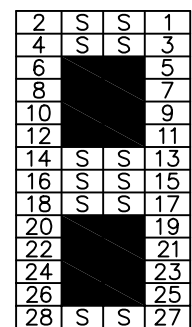
ASSEMBLY INSTRUCTIONS: -
TYPICAL ASSEMBLY DRAWING 2995G10032.
AT INDICATED POSITIONS FIT AS FOLLOWS:
T - FIT TRIP ISOLATION CONTACT 2995B10053
S - FIT STANDARD CONTACT 2995B10054
SECURE CONTACTS USING FIXING SCREW 2109F99009.
POSITIONS SHOWN BLANK ARE UNUSED



VIEW FROM NUMBERED SIDE OF BLOCK

OUTER TERMINAL BLOCK ASSY: -

ASSEMBLY INSTRUCTIONS: -
TYPICAL ASSEMBLY DRAWING 2995G10029.
AT INDICATED POSITIONS FIT AS FOLLOWS:
S - FIT STANDARD CONTACT 2995B10051
HC - FIT 'HEAVY CURRENT' KIT 2995G10030
WHERE IS SHOWN FIT CT SHORTING KIT 2995G10031
POSITIONS SHOWN BLANK ARE UNUSED.
ALL POSITIONS FIT SCREW 2106F12506.



VIEW FROM INSIDE FACE

1	29/04/99	MOD.No.	Title: T.B. AND W.D. FOR AR2-1T- 2 CONTACT RELAYS IN EPSILON E4 CASE.	First used on:
				Similar Articles:
ISSUE	DATE	MOD.No.	Reyrolle Protection Hebburn.	Supersedes:
DRAWN: A.LAW.	CHECKED:	APPROVED: R.D.WATSON		DATE: 17/07/02
			Copyright © 1999 Reyrolle Ltd	